

# Selection Form

# Roller Conveyor

Requested Date \_\_\_\_\_

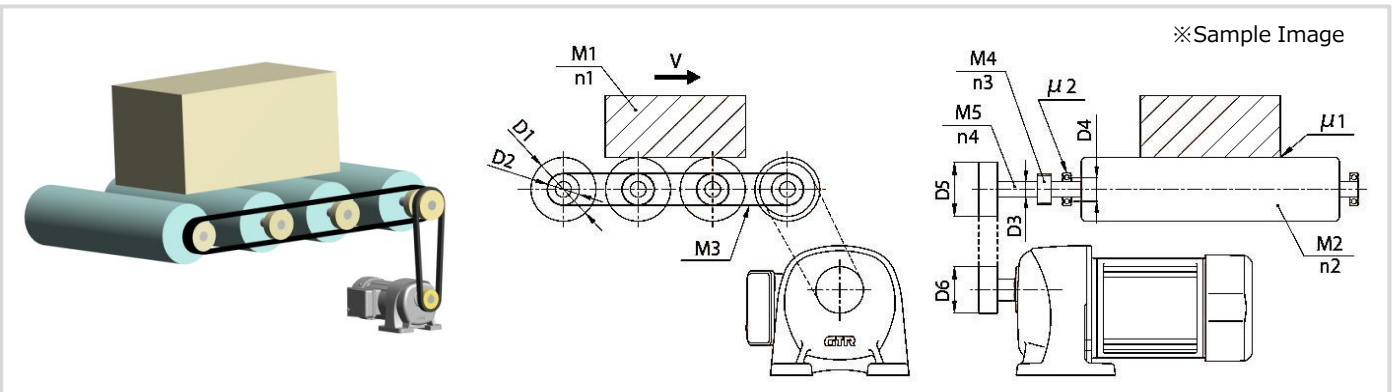
Please check the corresponding item in

## Select gearmotor series ※If you are unable to make a selection, please leave it blank.

- Induction Gearmotor(MID series / MINI series)     IPM Gearmotor(Speed Control Type)  
 Battery-powered Type Gearmotor(DC12V/24V/48V)     Requested Model { \_\_\_\_\_ }  
※If you already know the mode number, please enter that in { \_\_\_\_\_ }.

## Output shaft type selection ※If you are unable to make a selection, please leave it blank.

- Parallel Shaft (G3, G type)     Right Angle Shaft (H2, H type)     Hollow Shaft (FS, F2, F3 type)     Solid Shaft (FF, F2, F3 type)



## Operating Condition ※Leave the field blank if you are not sure

- |                                                                                                         |                                  |                                                                                                                         |
|---------------------------------------------------------------------------------------------------------|----------------------------------|-------------------------------------------------------------------------------------------------------------------------|
| ● Conveyor Speed                                                                                        | V = <input type="text"/> mm/s    | ● Rolling friction coefficient of the roller $\mu_1 =$ <input type="text"/>                                             |
| ● Weight of the Work                                                                                    | M1 = <input type="text"/> kg/pcs | ● Coefficient of friction $\mu_2 =$ <input type="text"/>                                                                |
| ● Number of Works                                                                                       | n1 = <input type="text"/> pcs    |                                                                                                                         |
| ● Weight of the roller                                                                                  | M2 = <input type="text"/> kg/pcs | ● Repeated Stopping Accuracy <small>※Enter only if necessary.</small>                                                   |
| ● Number of Rollers                                                                                     | n2 = <input type="text"/> pcs    | ± <input type="text"/> mm (travel distance equivalent)                                                                  |
| ● Total weight of the chain(belt)                                                                       | M3 = <input type="text"/> kg     | ● Power <input type="checkbox"/> 3-phase <input type="checkbox"/> 1-phase <input type="checkbox"/> Battery(DC)          |
| ● Weight of the sprocket(timing pulley)                                                                 | M4 = <input type="text"/> kg/pcs | <input type="text"/> V <input type="text"/> Hz                                                                          |
| ● Number of sprockets(timing pulley)                                                                    | n3 = <input type="text"/> pcs    | ● Start/Stop Frequency                                                                                                  |
| ● Weight of the rotating shaft                                                                          | M5 = <input type="text"/> kg/pcs | <input type="text"/> Times / <input type="checkbox"/> Minute <input type="checkbox"/> Hour <input type="checkbox"/> Day |
| ● Number of Rotating Shafts                                                                             | n4 = <input type="text"/> pcs    | ● Brake <input type="checkbox"/> with <input type="checkbox"/> without                                                  |
| ● Outer diameter of the roller                                                                          | D1 = <input type="text"/> mm     | ● Inverter <input type="checkbox"/> with <input type="checkbox"/> without                                               |
| ● P.C.D. of the sprocket(timing pulley)                                                                 | D2 = <input type="text"/> mm     | <small>※Check this box only for induction gearmotors.</small>                                                           |
| ● Outer diameter of the rotating shaft                                                                  | D3 = <input type="text"/> mm     | ● Other operating conditions such as cycle time                                                                         |
| ● P.C.D. of rotating shaft rolling element bearing                                                      | D4 = <input type="text"/> mm     | <div style="border: 1px solid black; height: 100px; width: 100%;"></div>                                                |
| ● P.C.D. of Driven Side Sprocket (Timing Pulley, Gear) <small>※Not required for direct coupling</small> | D5 = <input type="text"/> mm     |                                                                                                                         |
| ● P.C.D. of Drive Side Sprocket (Timing Pulley, Gear) <small>※Not required for direct coupling</small>  | D6 = <input type="text"/> mm     |                                                                                                                         |

## Customer Information

CS center Technical Support Desk  
E-mail : tech-cs@nissei-gtr.co.jp

Company Name _____	Address _____
Department _____	
Job Title _____	Phone Number _____
Name _____	FAX Number _____
	E-mail _____
Purpose of Selection <input type="checkbox"/> New Facility <input type="checkbox"/> Replacement <input type="checkbox"/> Change model <input type="checkbox"/> Others{ _____ }	
Type of Industry <input type="checkbox"/> Conveyor <input type="checkbox"/> Food Processing Machine <input type="checkbox"/> Machine for Agriculture or Fisheries	
<input type="checkbox"/> Tooling Machine <input type="checkbox"/> Packaging Machine <input type="checkbox"/> Printing·Paper Converting Machine	
<input type="checkbox"/> Special Machine <input type="checkbox"/> Construction Machine <input type="checkbox"/> Electrical and Electric Equipment	
<input type="checkbox"/> Medical Equipment <input type="checkbox"/> Design Office <input type="checkbox"/> Trading Company <input type="checkbox"/> Others{ _____ }	

Notice Please note that we may send you separate message after registering your information we have obtained through customer inquiries.  
Please let us know anytime if you want us to delete your information from our system.